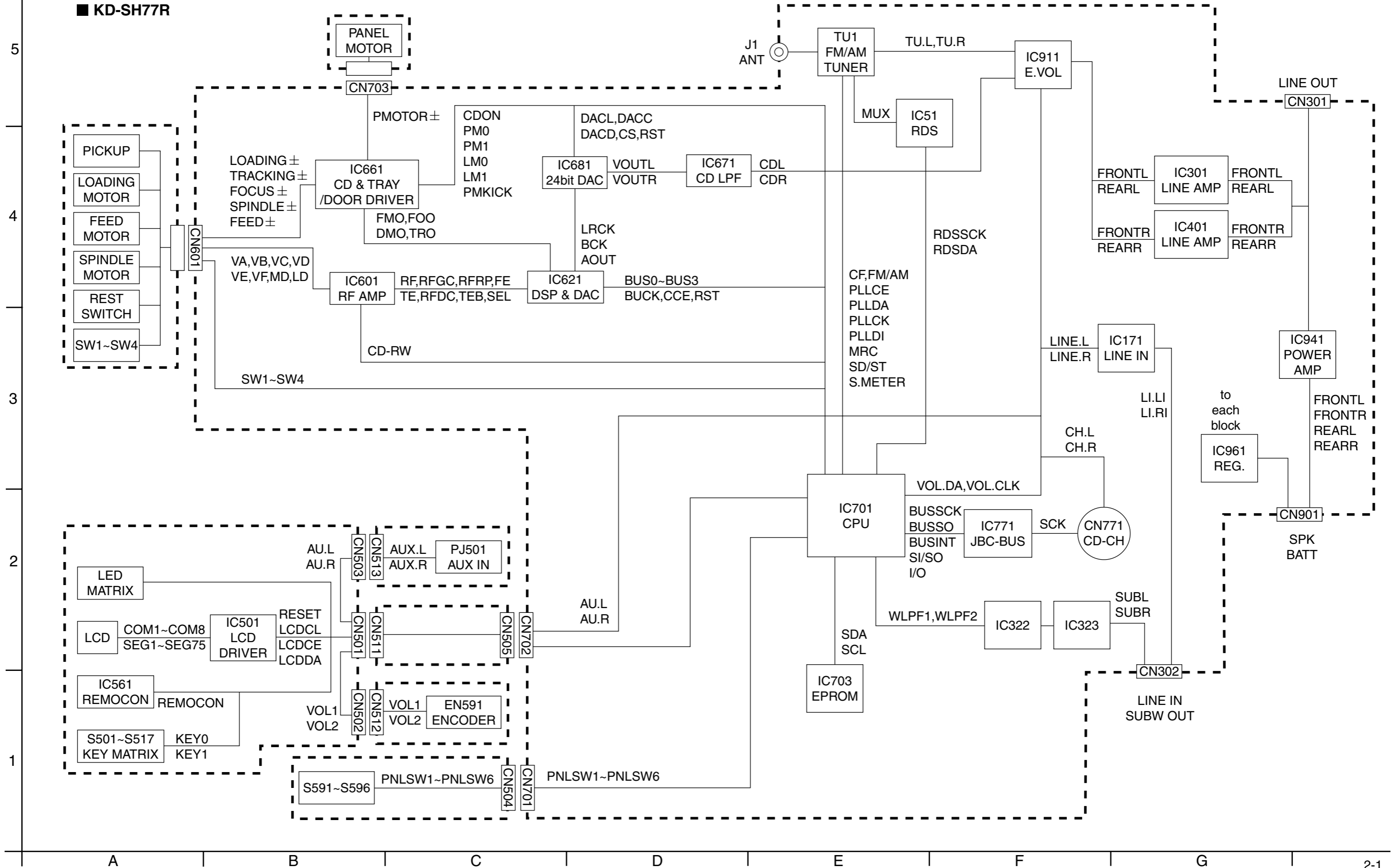
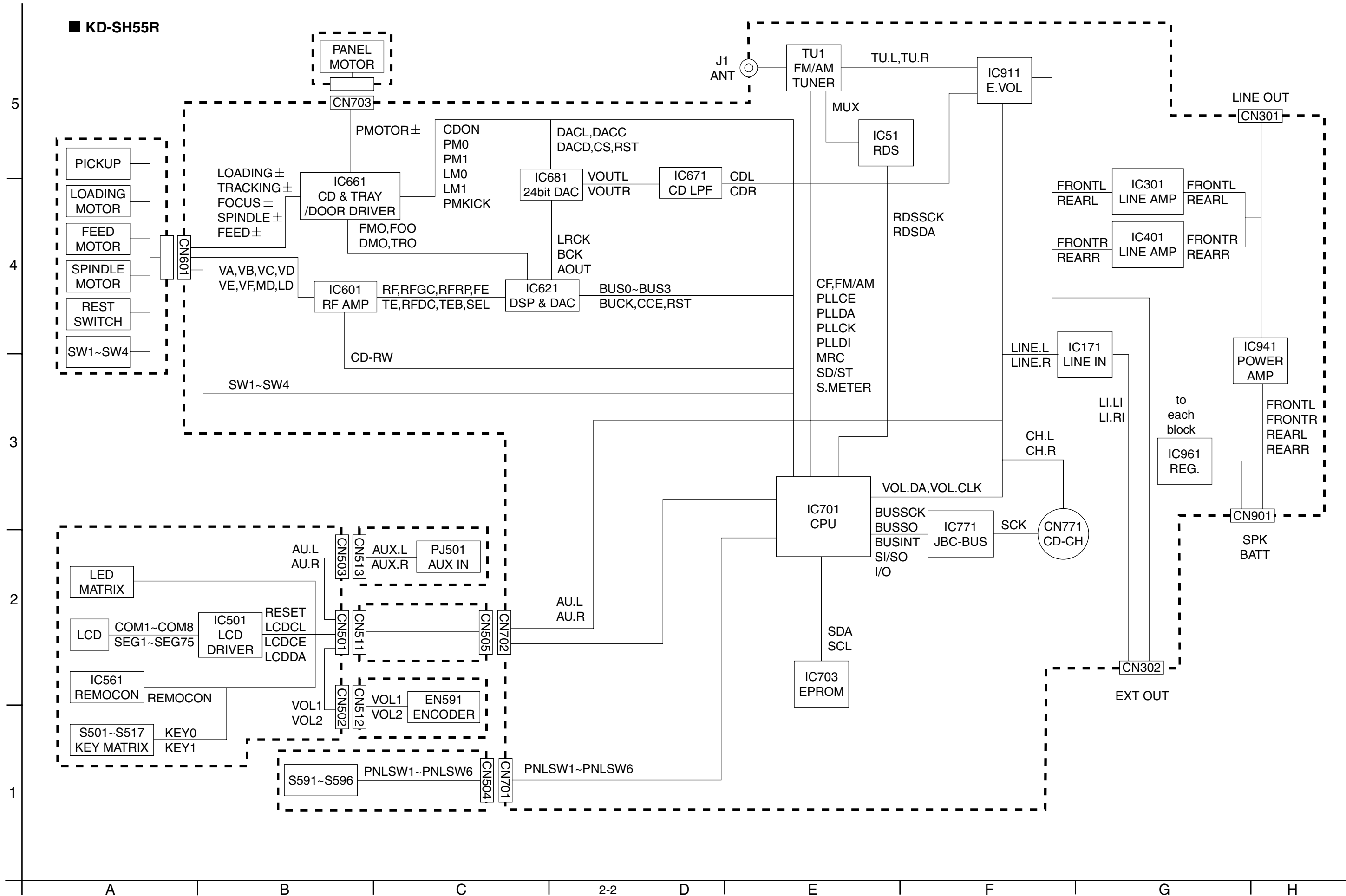


Block diagrams

■ KD-SH77R



■ KD-SH55R



CD servo control section (KD-SH77R)

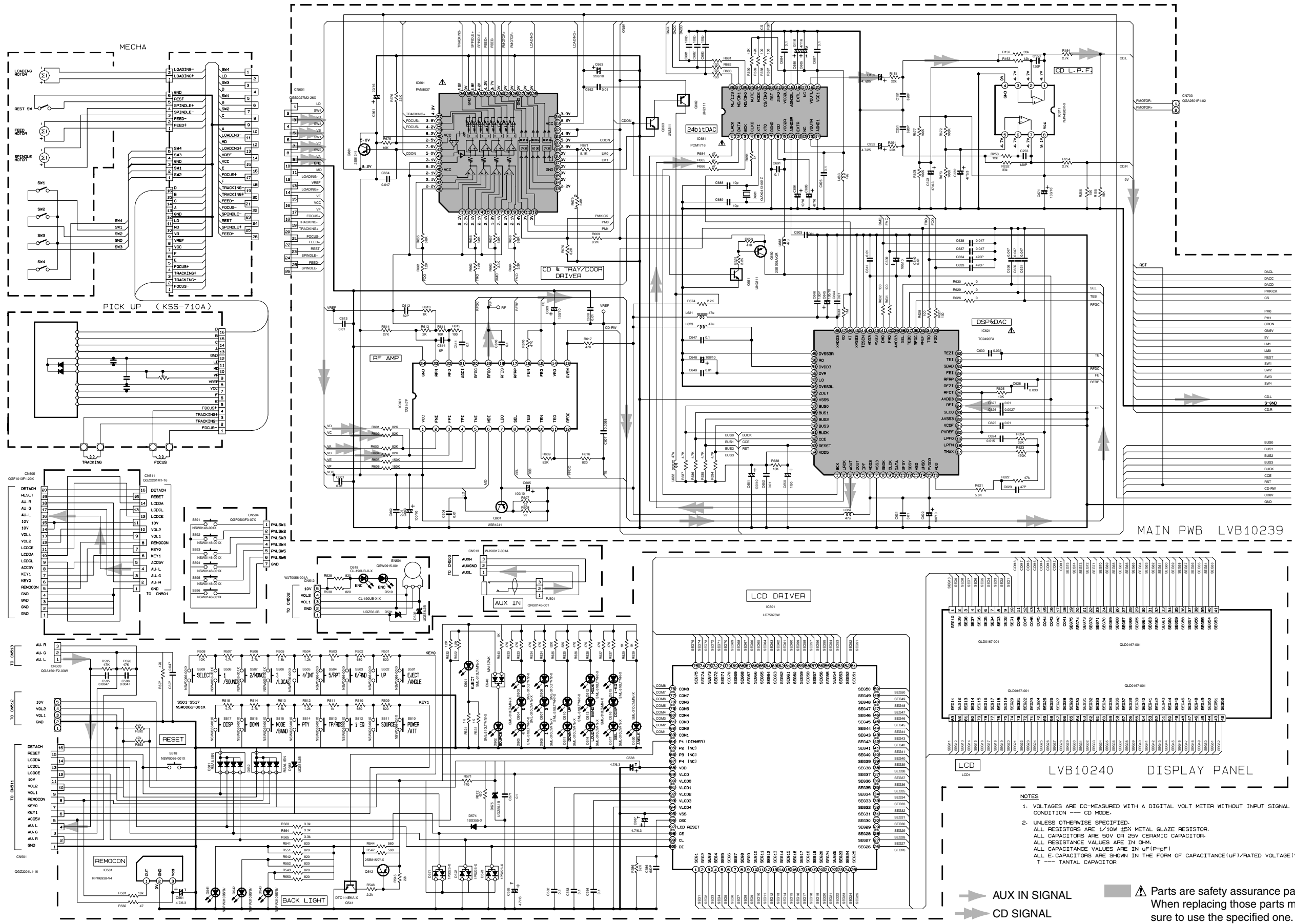
5

4

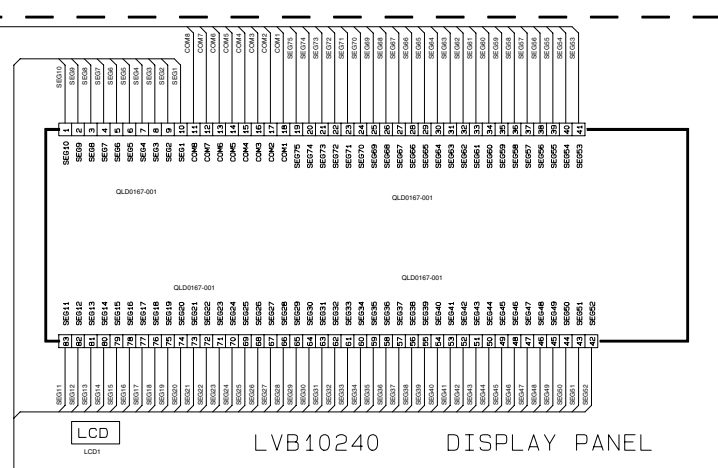
3

2

1



MAIN PWB LVB10239



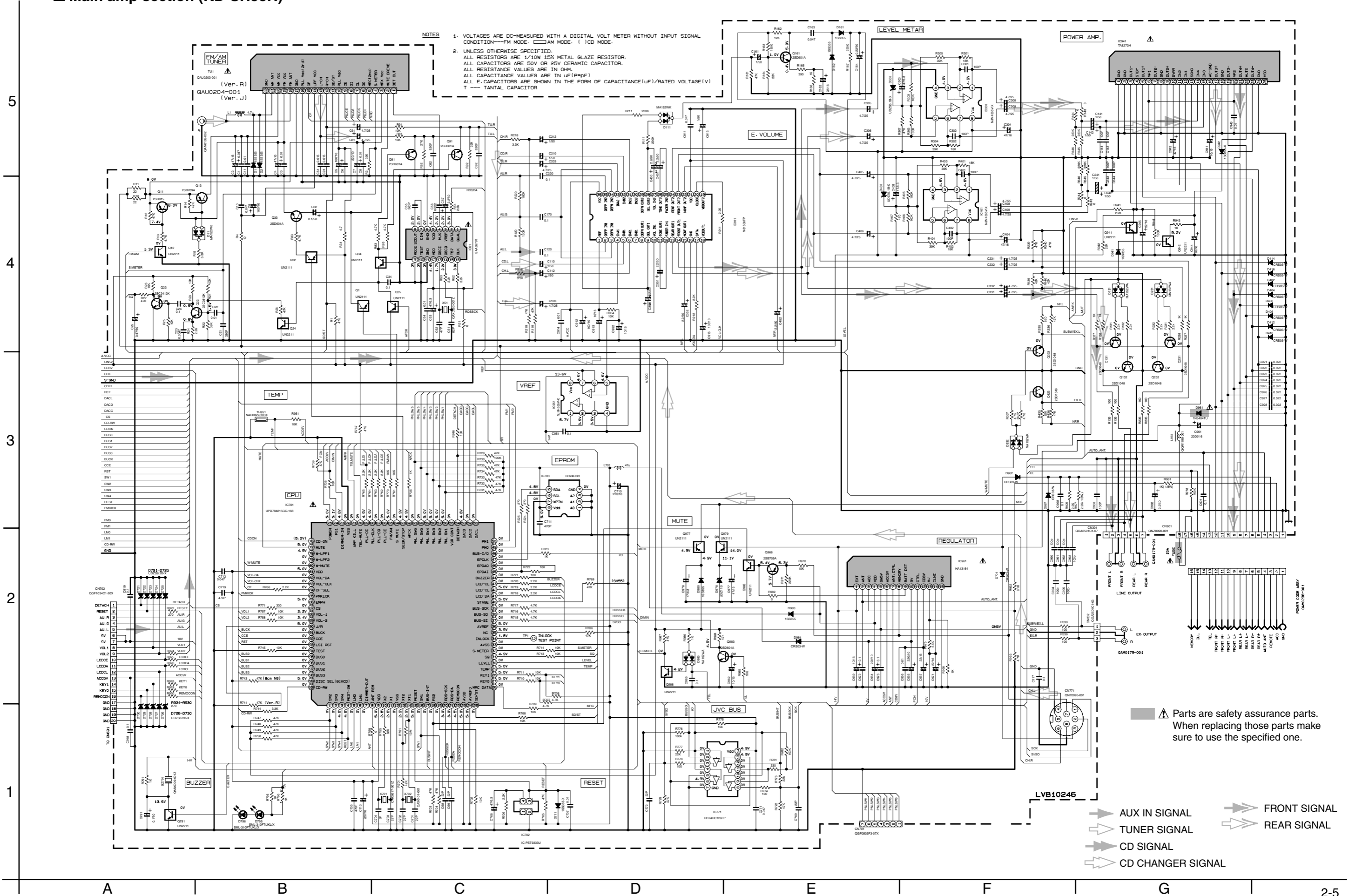
NOTES

- VOLTAGES ARE DC-MEASURED WITH A DIGITAL VOLT METER WITHOUT INPUT SIGNAL CONDITION --- CD MODE.
- UNLESS OTHERWISE SPECIFIED, ALL RESISTORS ARE 1/10W 25% METAL GLAZE RESISTOR. ALL CAPACITORS ARE 50V OR 25V CERAMIC CAPACITOR. ALL RESISTANCE VALUES ARE IN OHM. ALL CAPACITANCE VALUES ARE IN uF (P=PF) ALL E-CAPACITORS ARE SHOWN IN THE FORM OF CAPACITANCE (uF)/RATED VOLTAGE (V) T --- TANTALUM CAPACITOR

➔ AUX IN SIGNAL
➔ CD SIGNAL

⚠ Parts are safety assurance parts. When replacing those parts make sure to use the specified one.

■ Main amp section (KD-SH55R)



NOTES

1. VOLTAGES ARE DC-MEASURED WITH A DIGITAL VOLT METER WITHOUT INPUT SIGNAL CONDITION—FM MODE. □ AM MODE. () CD MODE.
2. UNLESS OTHERWISE SPECIFIED, ALL RESISTORS ARE 1/10W ±5% METAL GLAZE RESISTOR. ALL CAPACITORS ARE 50V OR 25V CERAMIC CAPACITOR. ALL RESISTANCE VALUES ARE IN OHM. ALL CAPACITANCE VALUES ARE IN UF (PpF). ALL E-CAPACITORS ARE SHOWN IN THE FORM OF CAPACITANCE(UF)/RATED VOLTAGE(V). T — TANTALUM CAPACITOR

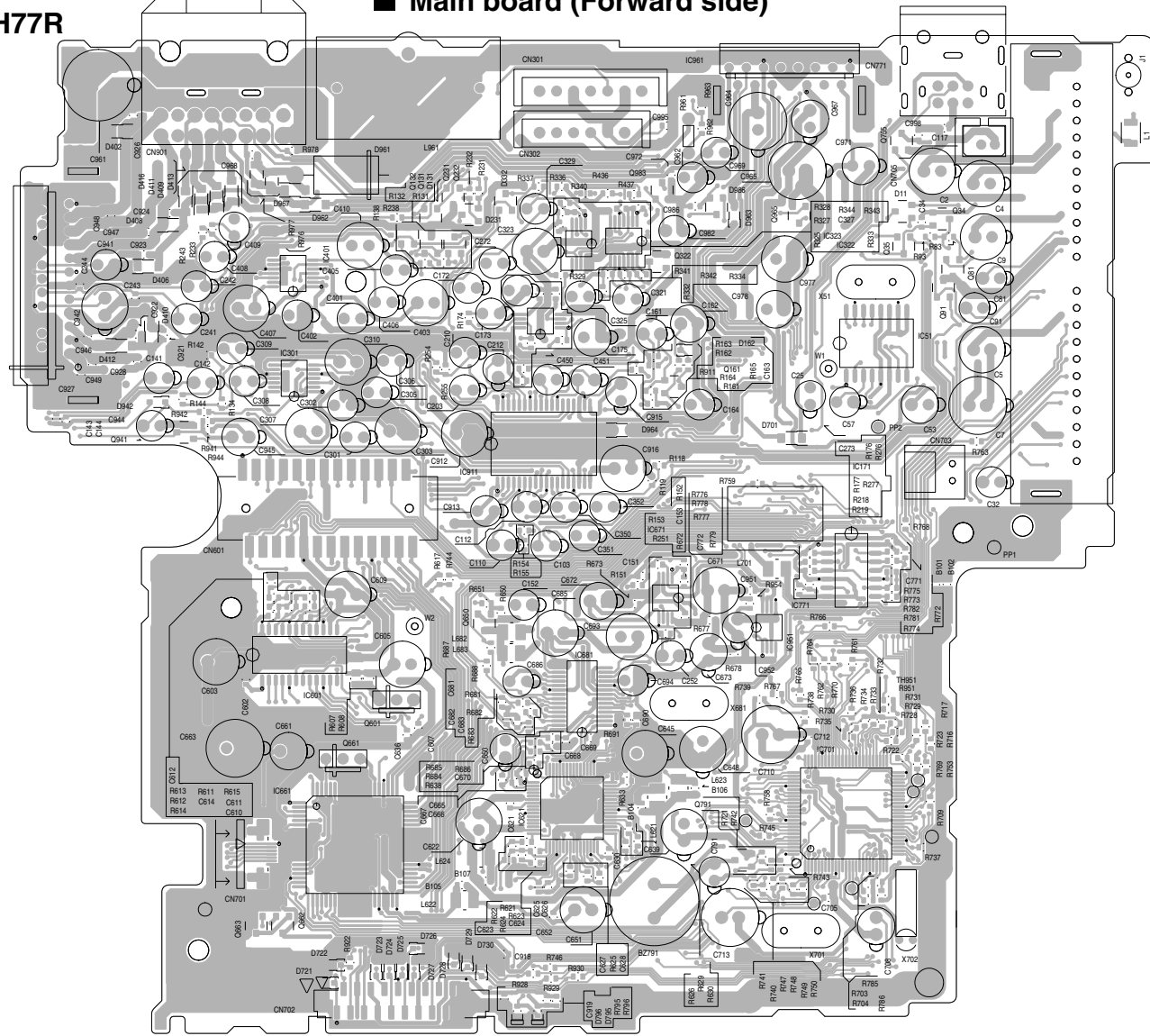
⚠ Parts are safety assurance parts. When replacing those parts make sure to use the specified one.

- ➔ AUX IN SIGNAL
- ➔ TUNER SIGNAL
- ➔ CD SIGNAL
- ➔ CD CHANGER SIGNAL
- ➔ FRONT SIGNAL
- ➔ REAR SIGNAL

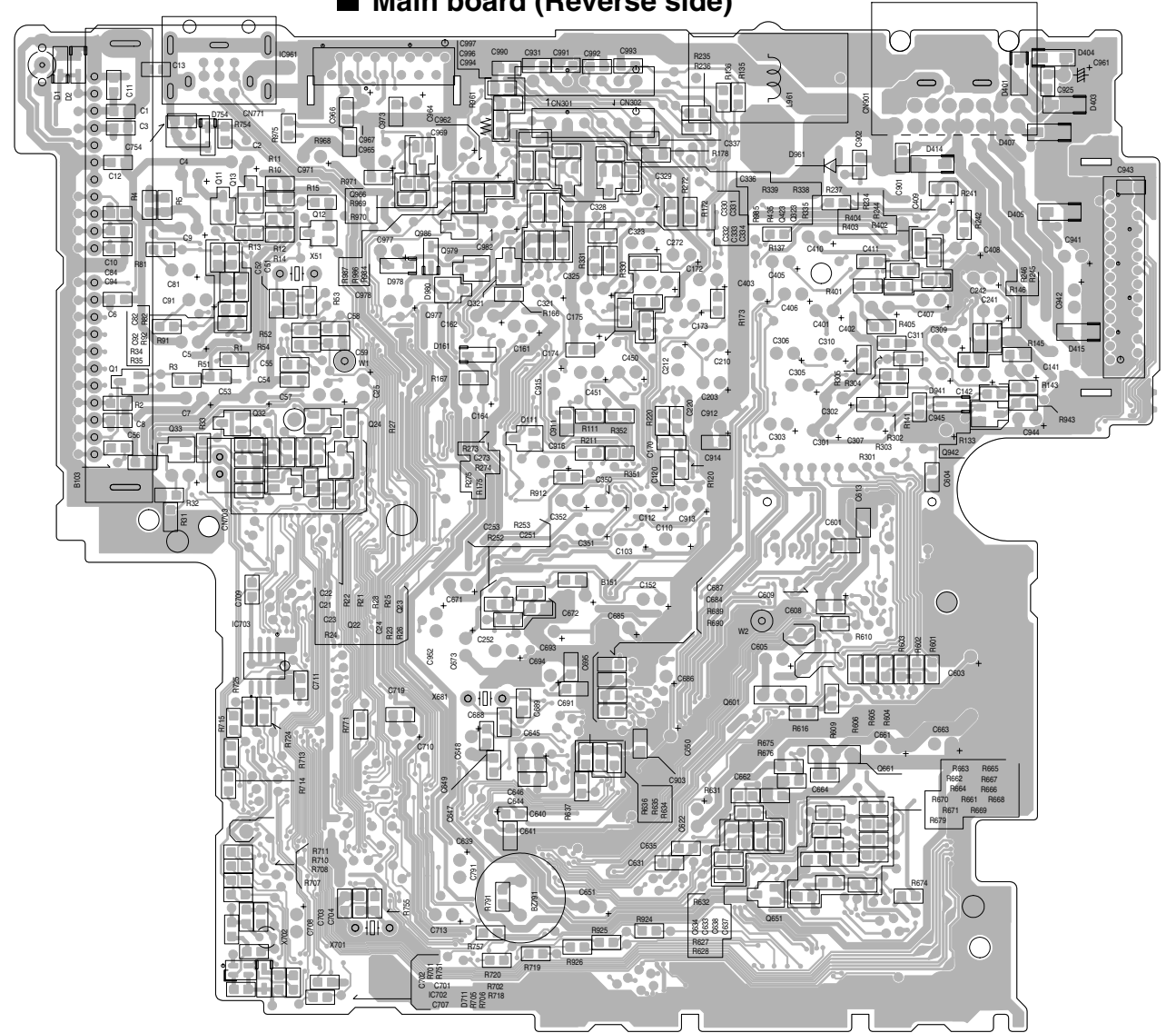
Printed circuit boards

KD-SH77R

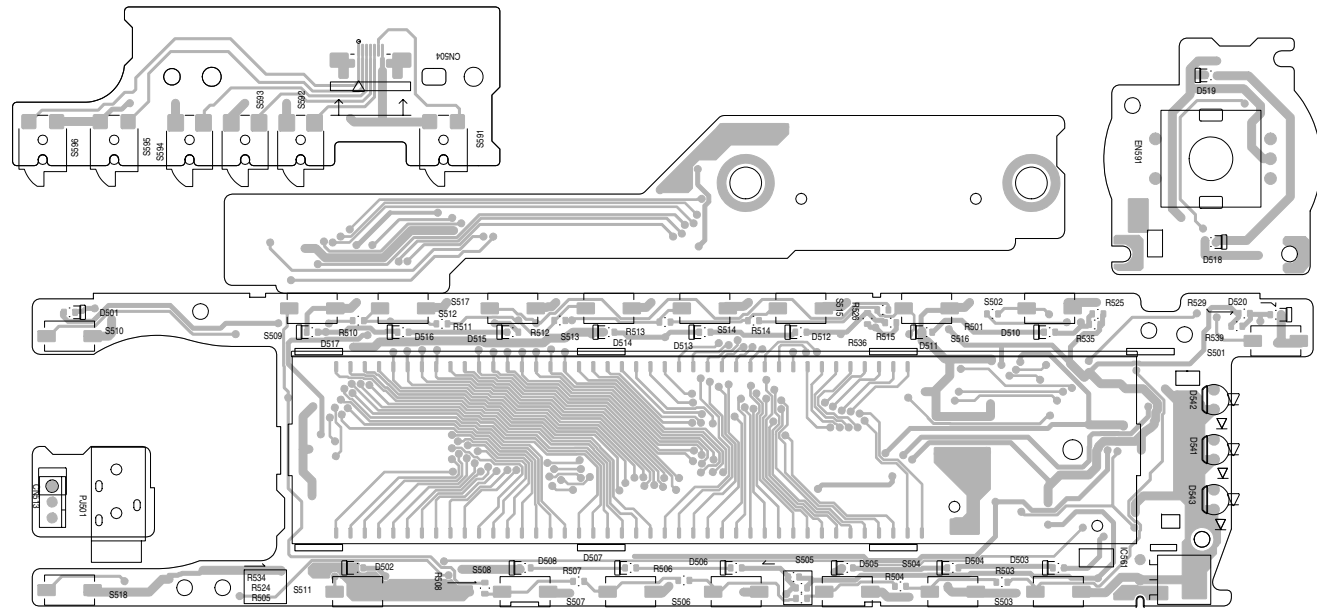
■ Main board (Forward side)



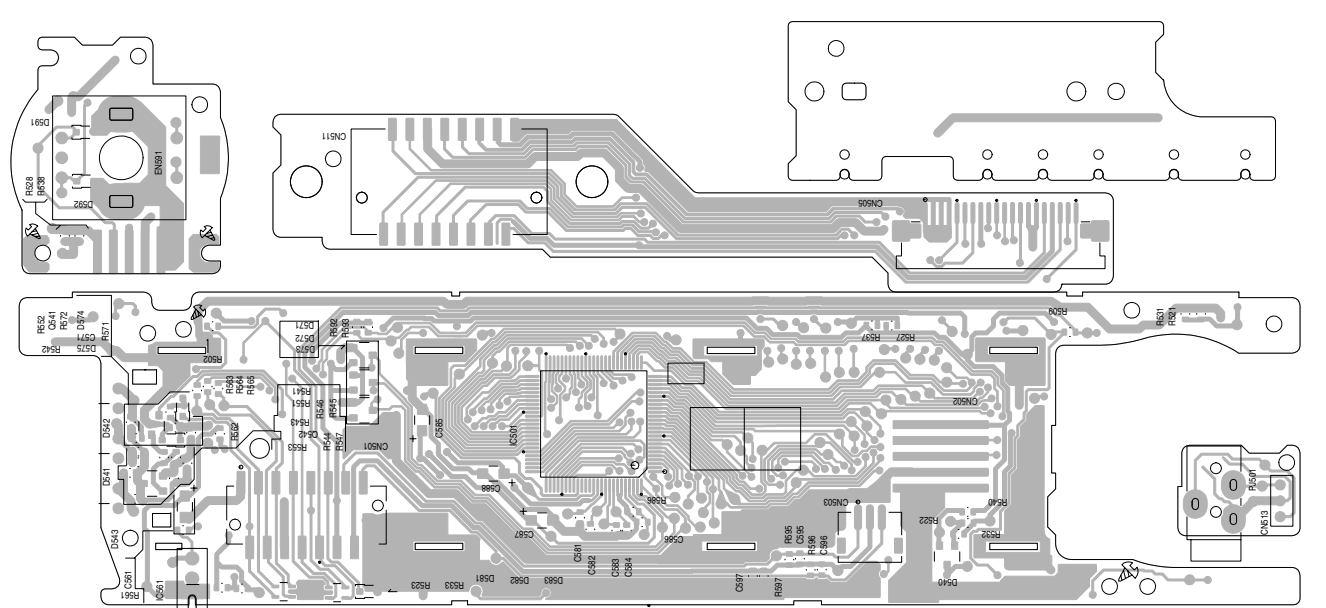
■ Main board (Reverse side)



■ Front board (Forward side)



■ Front board (Reverse side)



5

4

3

2

1

A

B

C

D

E

F

G

